

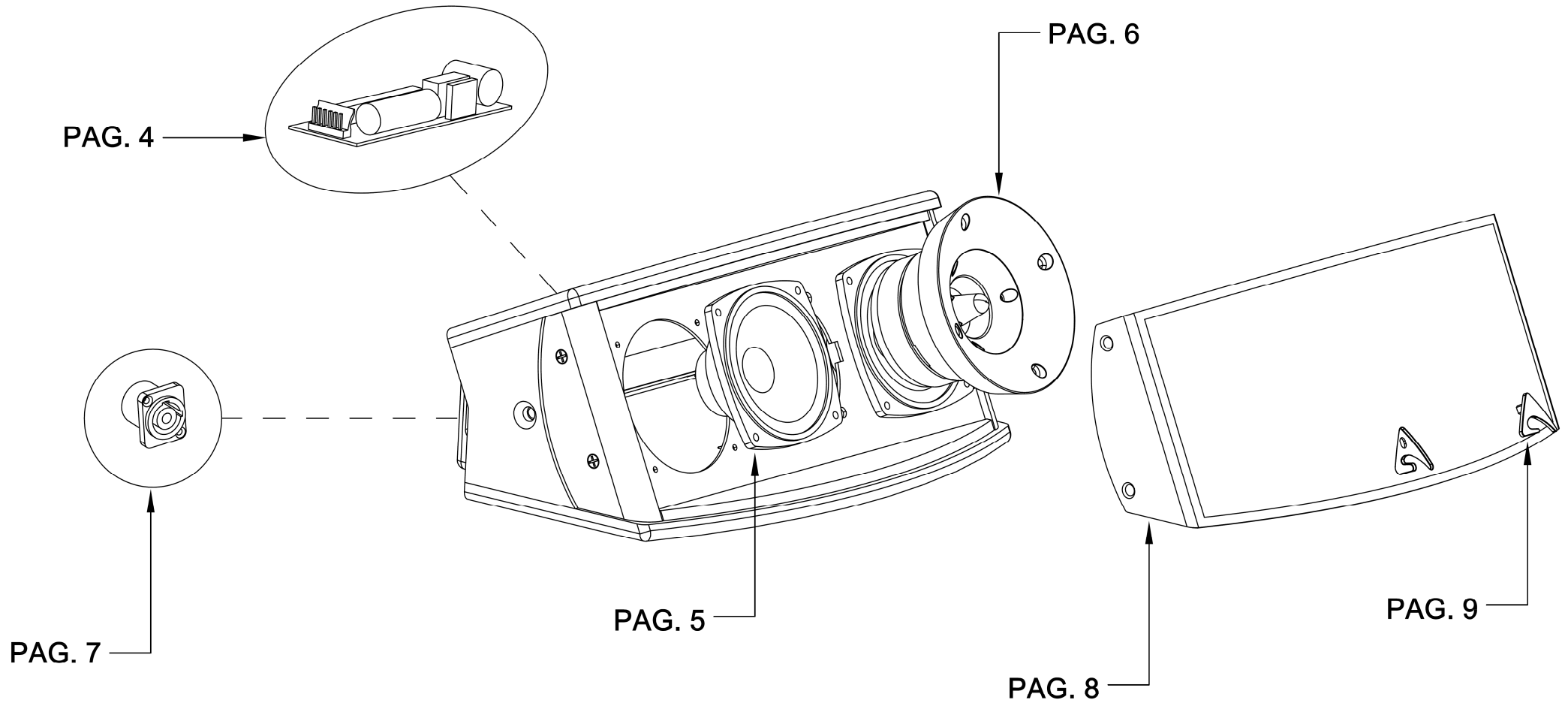
ED23P

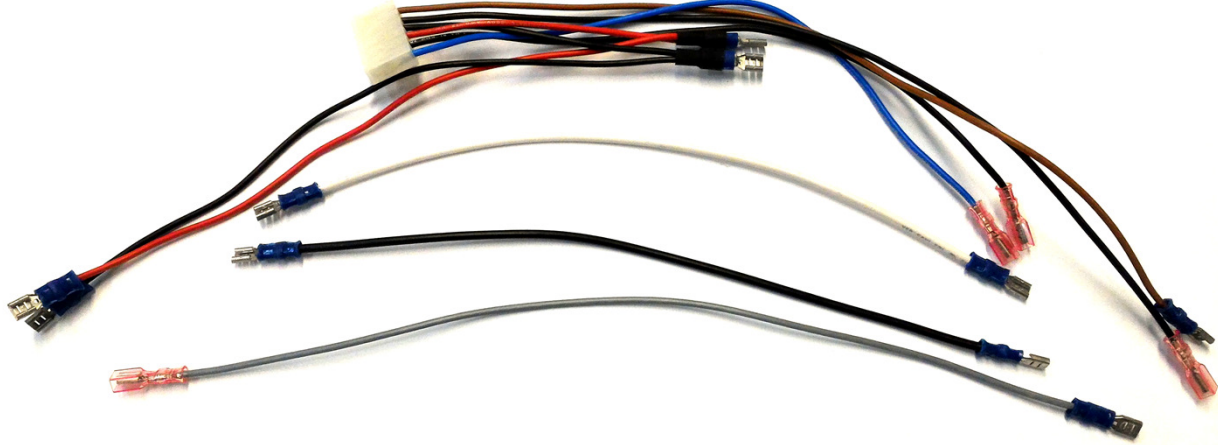
SPARE PARTS LIST

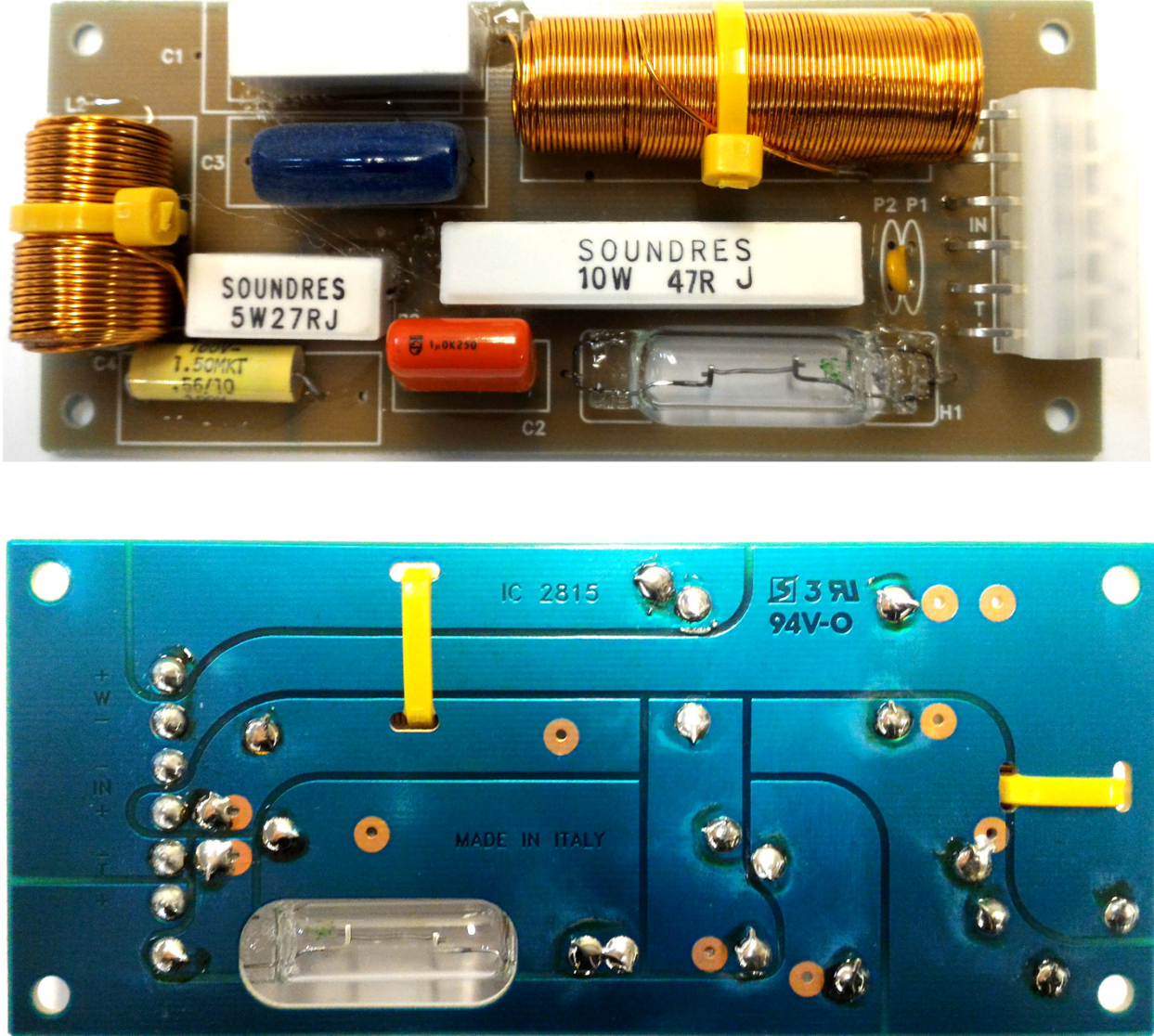
rev.01



EXPLODED DIAGRAM



ITEM	DESCRIPTION	PART CODE
COMPLETE WIRING		91CBLCV0206

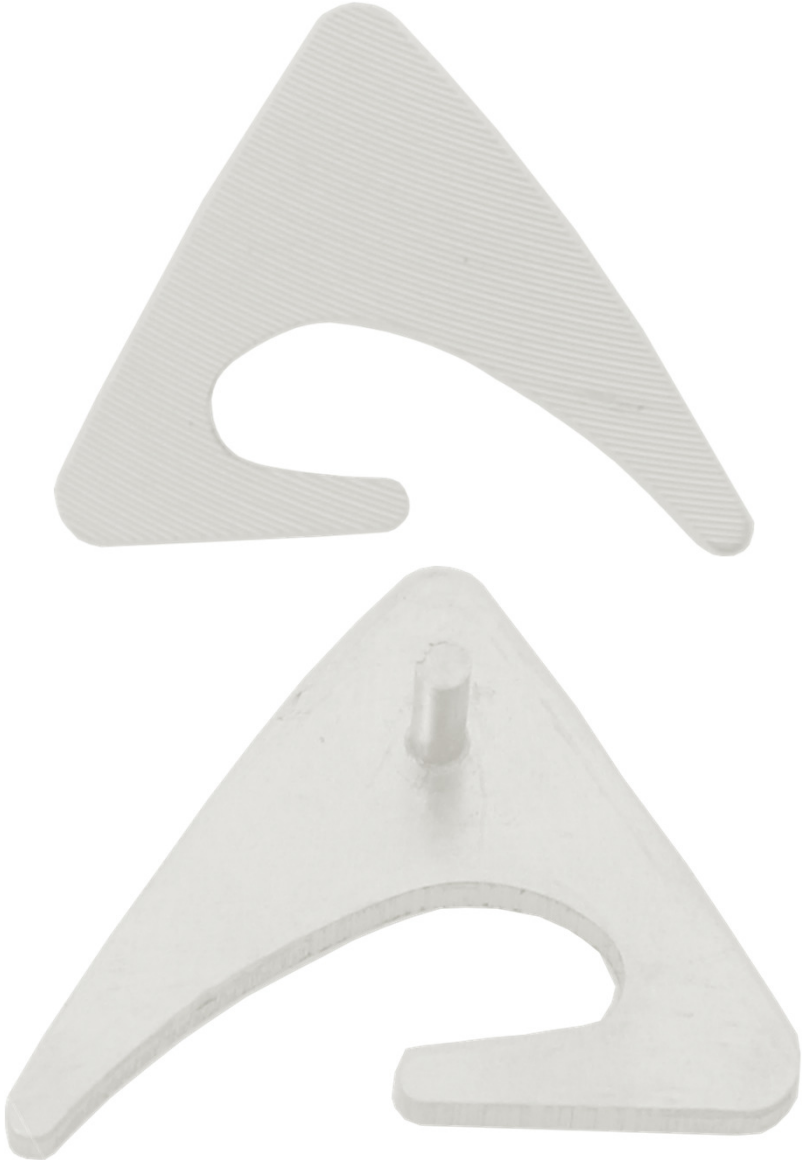
ITEM	DESCRIPTION	PART CODE
<p data-bbox="165 794 398 884">CROSSOVER BOARD</p>	 <p>The top view shows a brown PCB with various components: two large copper coils (C1, C3), a blue capacitor (C3), a white resistor (SOUNDRES 10W 47R J), a yellow capacitor (SOUNDRES 5W27RJ), a yellow electrolytic capacitor (1.50MKT 55/10), a red electrolytic capacitor (1.0K250), a vacuum tube (H1), and a white connector (P2 P1). The bottom view shows a blue PCB with a vacuum tube (H1), a yellow electrolytic capacitor (1.50MKT 55/10), and a resistor (3R 94V-O). The text 'MADE IN ITALY' is visible on the blue PCB.</p>	<p data-bbox="1823 820 2024 858">91CRO065</p>

ITEM	DESCRIPTION	PART CODE
<p data-bbox="138 762 421 912">3,5" LOUDSPEAKER 22 OHM</p>		<p data-bbox="1796 817 2056 858">98TDS3WZ22</p>

ITEM	DESCRIPTION	PART CODE
<p style="text-align: center;">DOME TWEETER SWG 80HM</p>		<p style="text-align: center;">98DRI025C</p>

ITEM	DESCRIPTION	PART CODE
<p>NEUTRIK PANEL SPEAKON CONNECTOR</p>		<p>NL4MP</p>

ITEM	DESCRIPTION	PART CODE
<p>FRONT METAL GRID</p>		<p>99EDRT23V (Screws Included)</p>

ITEM	DESCRIPTION	PART CODE
METAL LOGO		95AXMETAL1